

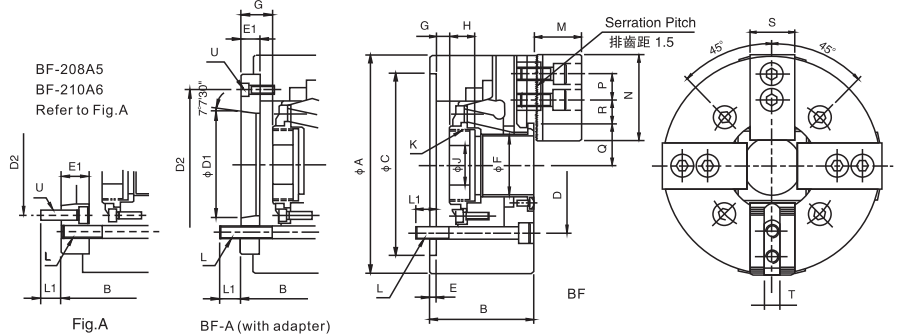
# BF SERIES

## 中空動力夾頭 (四爪高速中空型)

### 4-JAW THOUGH HOLE POWER CHUCK



- ◎ 楔形四爪大貫通孔徑，特別適合异形物的夾持。
- ◎ 摺動面均經硬化及精密研磨，并直接潤滑。
- ◎ 高剛性結構及高夾持精度。
- ◎ It's a WEDGE-HOOK type 4-jaw with the large through-hole.
- ◎ Matching surfaces of all parts hardened, ground and lubricated directly.
- ◎ Construction of high rigidity and high clamping accuracy.



規格 Spec 型號 Model	楔心行程(mm) Plunger stroke	爪行程(直徑) Jaw stroke (Dia.) (mm)	夾持直徑 chucking Dia.(mm)		容許油壓缸推力 Max. D.B. Pull (kgf)	最大夾持力 Max clamping force (kgf)	最高回轉速 max r.p.m	慣性矩 kg·m <sup>2</sup>	重量 (kg) Weight		適合油壓缸 Matched cylinders
			最大Max	最小Min							
BF-206 A5	12	5.5	169	15	2700	7000	6000	0.06	11.5	13.3	H-1246/HK-1246
BF-208 A5 A6	16	7.4	210	13	4430	10900	5000	0.19	23.5	25.4	H-1552/HK-1552
										24.3	
BF-210 A6 A8	19	8.8	254	31	5440	14100	4200	0.34	36.3	41	H-1875/HK-1875
										39.3	
BF-212 A8	23	10.6	304	34	7000	18300	3300	0.79	62	65.7	H-2091/HK-2091
BF-215 A11	23	10.6	381	50	9000	22900	2500	2.42	123.7	130.7	H-2511/HK-2511
BF-218 A11	23	10.6	450	50	7240	18355	1500	3.798	140	151	H-2511
BF-224 A20	26	12	610	150	9177	23861	1000	15.2	284	299	ML3320

寸法 Size 型號 Model	A	B	C(H6)	D	D1	D2	E	E1	F	Gmax	Gmin		H	J		
BF-206 A5	169	81	91	140	104.8	82.56	116	5	15	45	11	26	-1	14	19	20
BF-208 A5 A6	210	91	109	170	133.4	82.56	104.8	5	23	52	14.5	37.5	-1.5	21.5	20.5	30
			103			106.38	150		17			31.5		15.5		
BF-210 A6 A8	254	100	120	220	171.5	133.4	190	6	25	75	8.5	33.5	-10.5	14.5	25	45
			113			139.72			18			26.5		7.5		
BF-212 A8	304	110	122						91	8	26	-15	3	28	50	
BF-215 A11	381	133	149	300	235	196.87	260		22	117.5	11	33	-12	10	39	60
BF-218 A11	450	133	149	300	235	196.869	260	6	22	117.5	7	29	-16	6	43	-
BF-224 A20	610	147	155	520	463.6	412.775	463.6	6	25	205	16	41	-10	15	38	-

寸法 Size 型號 Model	K max	L	L1	M	N	P	Q max	Q min	R max	R min	S	T	U	
														BF-206 A5
BF-208 A5 A6	M60×2	4-M12	20	17	38	95	25	38.7	35	29.8	14.8	35	14	6-M10
				18										3-M6
BF-210 A6 A8	M85×2	4-M16	22	24	43	110	30	51	46.6	33.8	14.3	40	16	6-M12
				25										3-M8
BF-212 A8	M100×2		23	25	51	130		61.3	56	45.8	15.8	50	21	
BF-215 A11	M130×2	4-M20	30	28	66	165	43	82	76.7	46.8	13.8	62	25	4-M10
BF-218 A11	M130x2	4-M20*135	30	28	66	165	43	82	76.7	79.75	15.25	62	22	3-M10
BF-224 A20	M215x3	8-M24*150	35	35	73	180	60	139.9	133.9	87.5	24.5	65	25	3-M10

\* 保留技術更改的權利，恕不另行通知 Subject to technology changes without prior information  
 \* 非標需求可訂做 Non-standard requirements can be made